

Pine

Kitchen Mixer

Article no.: 170630000
Finish: Chrome
Series: Pine

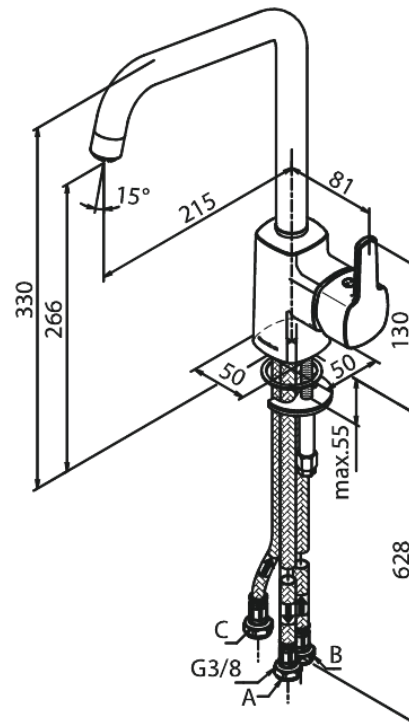
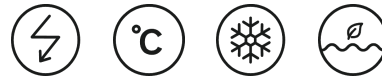
EAN no.: 5708516826910



Standard features:

120° swivel limitation
Ceramic cartridge
Low pressure

Product features



FM Mattsson Denmark ApS
Hvidkærvej 48, 5250 Odense SV, DK-56416218

+45 88 33 00 34 damixa-international@fmmattsongroup.com

Mere information på damixa.com

damixa